

This information is given as an indication. In the continual goal to improve our products, we reserve the right to make any modifications judged necessary



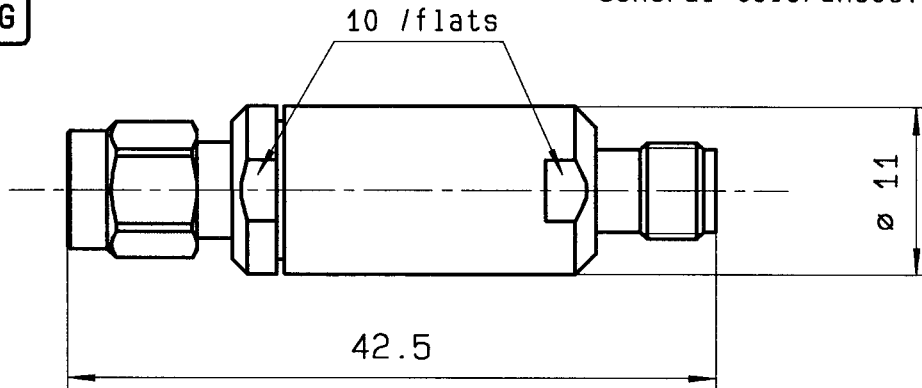
WIDE BAND COAXIAL DETECTOR

issue
27.oct.98

Page
1 / 1

DRAWING

General tolerances: +/- 0.5 mm



R F CHARACTERISTICS

FREQUENCY RANGE	:	0.01-12.4GHz
IMPEDANCE	:	50 Ohms
V.S.W.R	0.01- 8 GHz	: <= 1.35
	0.01-18 GHz	: <= 1.50
FREQUENCY RESPONSE	0.01- 8 GHz	: ± 0.2 dB/octave
	0.01-12.4GHz	: ± 0.5 dB
SENSITIVITY (Pe= - 0.35 mW)	:	>=100mV
POLARITY	:	negative
TANGENTIAL SENSITIVITY	:	>= -44 dBm
SQUARE LOW RESPONSE LIMIT	:	-12 dBm
VIDEO IMPEDANCE	:	2 KOhm typical
FILIERING CAPACITY	:	20 pF typical
MAXIMUM POWER	:	200 mW CW
DIODE	:	R451950 schottky "zero bias"
TEMPERATURE STABILITY	:	0.015 dB / (°C)

MECHANICAL CHARACTERISTICS

INPUT CONNECTOR	:	SMA male per MIL-C 39012
VIDEO OUTPUT CONNECTOR	:	SMA female per MIL C39012
WEIGHT	:	< 120 g

ENVIRONMENTAL CHARACTERISTICS

OPERATING TEMPERATURE RANGE	(°C)	:	-25 , +70
STORAGE TEMPERATURE RANGE	(°C)	:	-25 , +70

CREATION				
N° :				
PEN/EP: CAT				
Name: MG				
Date: 16. jan. 91	27.oct.98	New format	MG	AF <i>af</i>
APP.: AF	ISSUE	REVISIONS	NAME	APPR.

RADIALL®

101. rue P. Hoffmann - Z.I Quest-
93116 ROSNY/BOIS Cedex-FRANCE
Phone: 33(1)49353535
Fax : 33(1)48546363
Tvx RADIA 235220F

4412-9242